

LDV FOR SMALL ANIMALS

Laser Doppler velocimeter for small animals

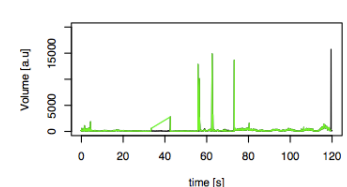
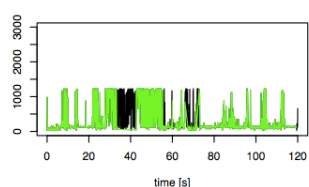
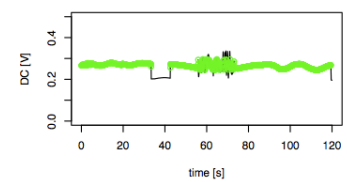
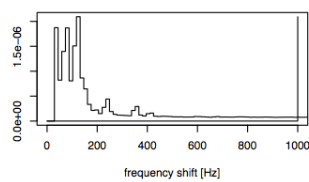
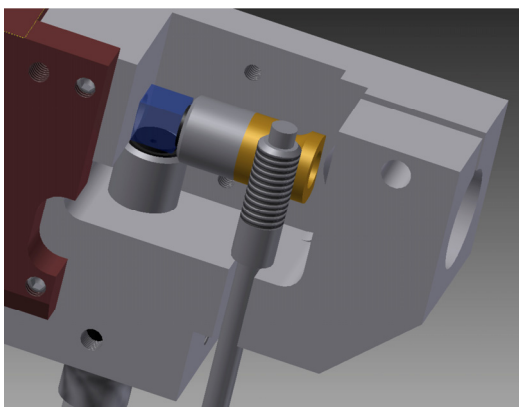
Project Summary

Adaptation of an existing laser Doppler flowmeter to be able to perform velocimetry measurement on small vessels of the eye of small animals. The instrument is mounted on a stereotaxic table and a specially design holder able to rotate the exit pupil of the instrument around a point which can be moved by independently x-y-z axis.

Valorisation

Acquisition of new projects through the instrument.

Scientific publications.



Contact / Mr Martial Geiser (martial.geiser@hevs.ch.ch)

Author / Mr Martial Geiser

This project has been carried out by M. Geiser (HES-SO Valais Wallis)